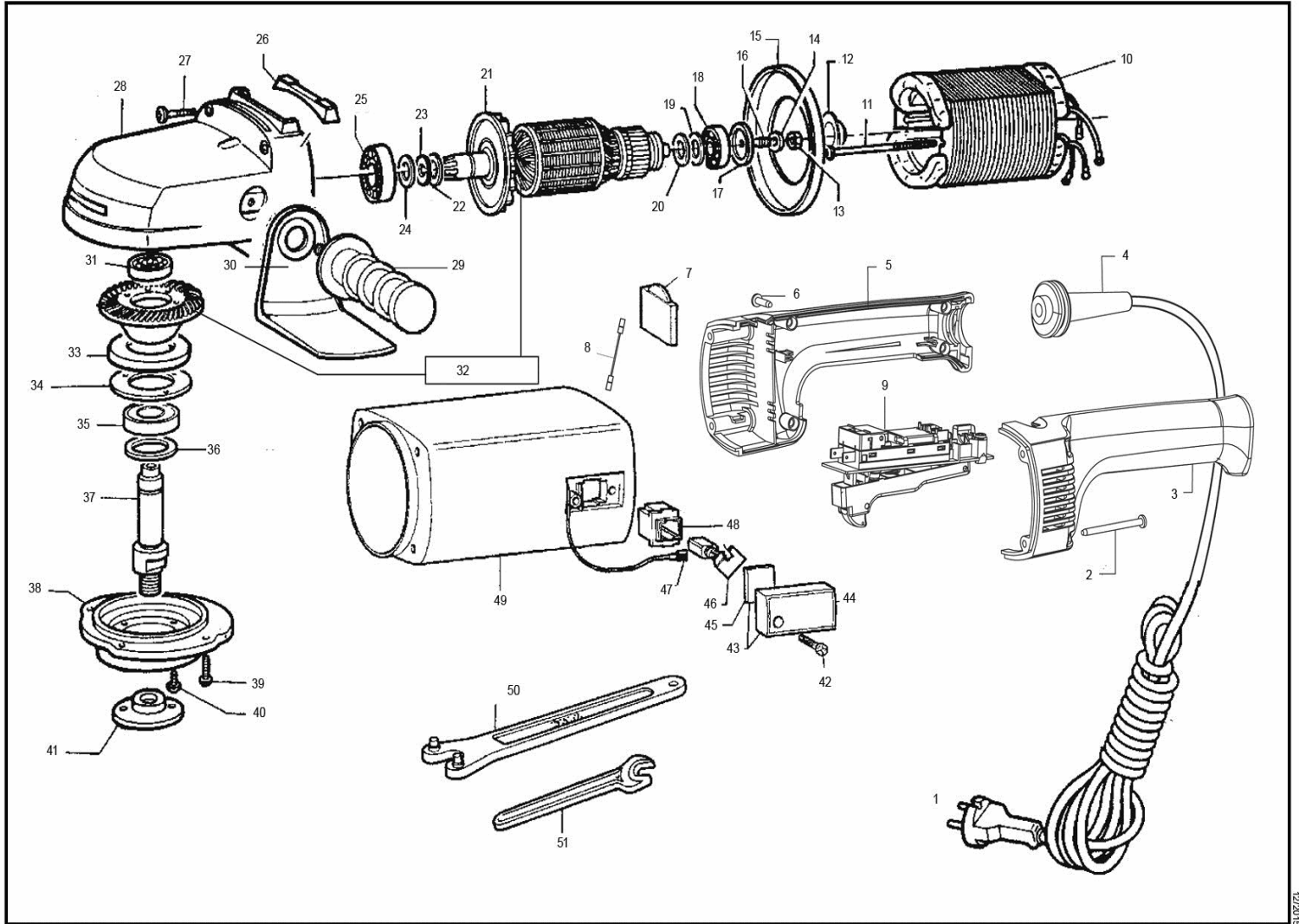


LEVIGATRICI ANGOLARI ANGULAR SANDERS

LH31N
LH32EN



ID	ITEM	DESCRIPTION
001	9C2X1,0N485FOR	CAVO 2x1 (spina Schuko d4,8) mt.5 H05RN-F con forchetta
001	9C2X1,0NGB4FOR	CABLE 2X1 (plug UK) with fork H07RN-F CENTRAL METAL PLUG
001	9C2X1,0R404FOR	CABLE 2X1 (plug D4) H07RN-F mt.4 with fork (only Swiss)
002	9.651	SCREW 4,2x50 (8x2") T.C.C.
003	441.239	HALF-HANDLE LEFT
004	42.290	CABLE SLEEVE SS31TE
005	44.239	HALF-HANDLE RIGHT
006	9.688	SCREW 4,2x16 T.C.C. (8x5/8)
007	400.239	ELECTRONIC MODULE (FEMALE FASTON 6,3)
008	77.239	CABLE (2 faston fem. 6,3mm + faston bag
009	45.00.040	SWITCH 12+
010	2.42/220	STATOR (V.220)
010	2.42/240	STATOR (V.240)
011	9.652	SCREW 4,8x57 (10x2"1/4)T.C.C.
012	319.092	MOTOR BODY NUT COVER
013	84.91	NUT M8 GALVANIZE uni 5589
014	9.349	TOOTHED WASHER
015	73.038	AIR BULKHEAD
016	9.698	GRAIN 8x14
017	341.40	THRUST WASHER
018	9.17/10	BEARING 629 ZZ-C3
019	9.304	STEEL WASHER d15 x 9,1 s 0,1
020	9.320	STEEL WASHER d23 x 9,1 s 0,3
021	15.092	FAN 40 BLADES
022	9.309	STEEL WASHER d22 x 15,2 s 0,3
023	9.103	SEEGER d 12 TIPO E DIN 471 CR3 PHOSPHATE
024	541.40	SPACER d 22 x 15,2 s 1
025	9.09/10	BEARING 6002 ZZ-C3
026	65.038	TOOL SUPPORT
027	9.575	SCREW 4,8x50 (10x2") T.C.C. BURNISHED
028	32.092	GEAR BOX
029	81.326	COMPLETE SIDE HANDLE WITHOUT SPANNER
030	93.098	GUARD FOR SIDE HANDLE LH22E
031	9.27/10	BEARING 6001 ZZ-C3
032	1.098/220/C	ROTOR (V.220-240V) WITH GEAR AND SPACER
033	54.098	SPACER d 22 x 15,2 s 5,45
034	351.038	BEARING LOCKING FLANGE
035	9.26/10	BEARING 6202 ZZ-C3
036	333.038	d 28x15 s 0,3 STEEL WASHER
037	51.092	SPINDLE SHAFT
038	33.038	FLANGE
039	9.689	SCREW M5 x 14 T.C.C. 8G BURNISHED
040	9.637	SCREW M4 x 16 T.C.C. 8G BURNISHED
041	924.24	CONIC NUT FOR VULKOFIX
042	9.614	SCRE M4 x 12 T.C.C. d7,7 BRN 8.8
043	481.048	BRUSH COVER
044	48.048	BRUSH COVER
045	48.82	RECTANGULAR PLATE FIB. 16,5x13,5 s1,5
046	47.70/10	10 BRUSHES BLISTER LH-GL-SM
047	9.1346	FASTON FEMALE 2,8x0,8
048	46.093	BRUSH HOLDER
048	46.093/C	BRUSH HOLDER
049	31.093	GL61-GL81 MOTOR BODY
050	836.24	SPANNER
051	83.13	SPANNER mm 17