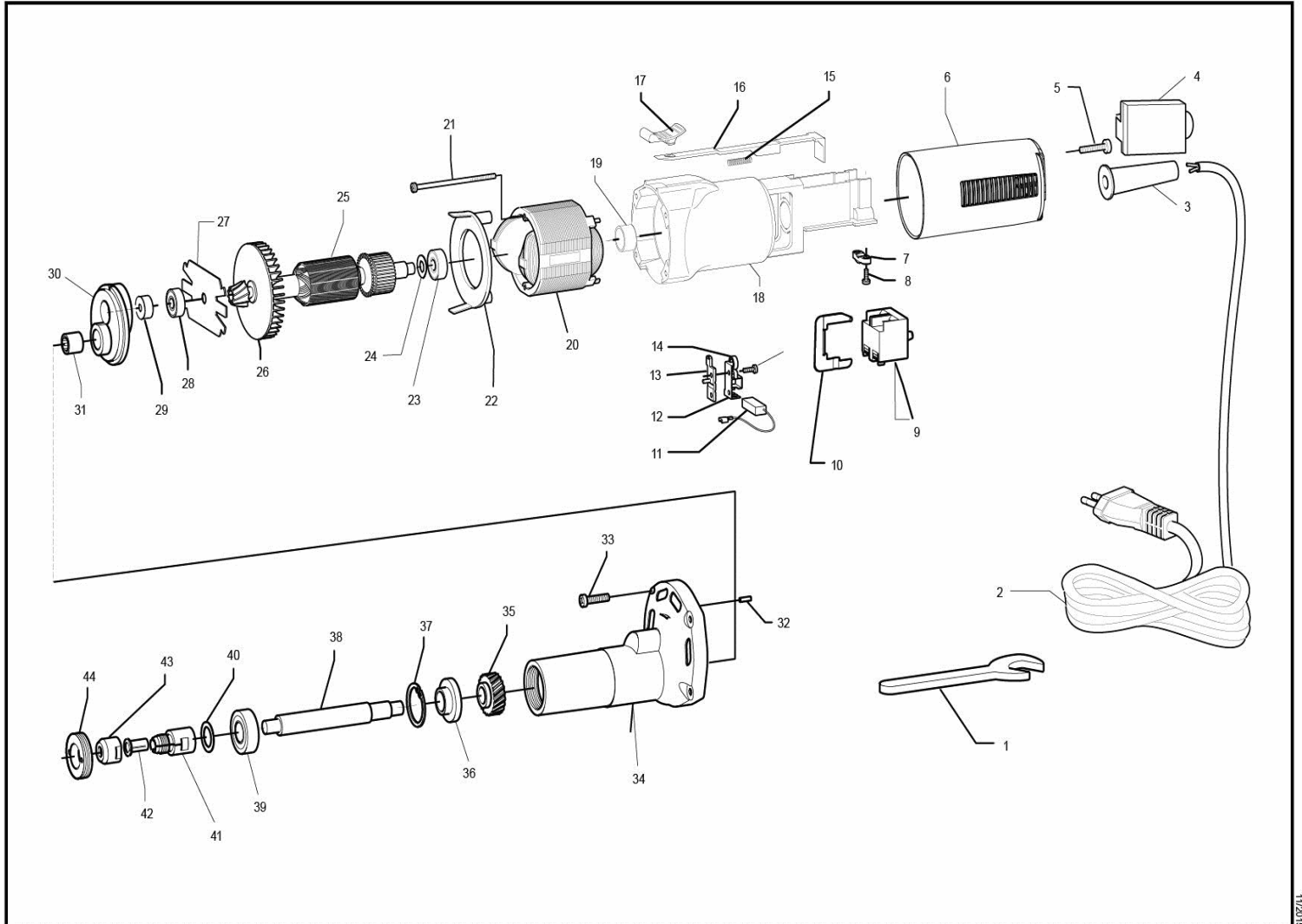


SMERIGLIATRICE DRITTA STRAIGHT GRINDER

AR52ES



ID	ITEM	DESCRIPTION
001	83.030	SPANNER mm11 + mm13
002	9C2X1,0NGB4FOR	CABLE 2X1 (plug UK) with fork H07RN-F CENTRAL METAL PLUG
002	9C2X1,0NAU5FOR	CABLE 2X1 (plug Australia) H07RN-F mt.5
002	9C2X1,0R404FOR	CABLE 2X1 (plug D4) H07RN-F mt.4 with fork (only Swiss)
002	9C2X1,5V003FOR	CABLE 2X1,5 (without plug) mt.3,50 with fork
002	9C2X1,0N485FOR	CAVO 2x1 (spina Schuko d4,8) mt.5 H05RN-F con forchetta
003	42.105	CABLE SLEEVE BA21-BR51
004	400.251	ELECTRONIC MODULE
004	400.251/D	ELECTRONIC MODULE
004	400.251/110	ELECTRONIC MODULE 50-60HZ
005	9.660	SCREW 3,9x16 (7x5/8") T.C.C.
006	44.247	LHR12E BACK CAP
007	444.14	CABLE CLAMP NYLON
008	9.660	SCREW 3,9x16 (7x5/8") T.C.C.
009	45.210	SWITCH
010	382.247	SWITCH SEPARATOR
011	47.105/10	BLISTER WITH 10 PC. BRUSHES BA215
012	46.105	BRUSH HOLDER BA215-LH18ENS
013	462.105	BRUSH HOLDER PLATE
014	461.105	SPRING BRUSH HOLDER BA21 BURNISHED
015	75.105	SPRING
016	38.247	BEAM SWITCH
017	381.247	RUBBER BUTTON ON/OFF
018	31.247	MOTOR BODY
019	268.105	BEARING CAP
020	2.118/230	STATOR (V.230)
020	2.118/110	STATOR (V.110)
021	9.570	SCREW 2,9x60 (4x2"3/8)T.C.C.
022	73.105	AIR BULKHEAD
023	9.14/10	BEARING 626ZZ1MC3E J NS7SQ
024	9.318	STEEL WASHER d15 x 6,1 s 0,15
025	1.118/240	ROTOR (V.240)
025	1.118/220	ROTOR (V.220)
025	1.118/110	ROTOR (V.110)
026	15.289	FAN
027	351.105	MOTOR BODY LITTLE COVER
028	9.17/10	BEARING 629 ZZ-C3
029	54.119	RING LOCKING BEARING
030	32.119	SEPARATOR ZAMA
031	9.39	ROLL CASE
032	9.468	ROLL d 2,5 x 7,8
033	9.679	SCREW 4,2x25 (8x1") T.C.C.
034	36.119	DINGHY
035	52.118	WHEEL Z-22
036	16.119	SEALING BUSH AR51/AR11
037	9.112	SEEGER d 26 DIN 472 (inner)
038	51.119	SPINDLE SHAFT
039	9.17/10	BEARING 629 ZZ-C3
040	9.299	STEEL WASHER d18 x 9,1 s 0,15
041	921.72	COLLET d 6
042	924.72	REDUCTION COLLET 6/3
043	922.117	NUT FOR PLIERS
044	55.119	RING NUT LOCKING BEARING